



APPLICATIONS:

- PCB, sensitive electronics, optics

FEATURES:

- Cleanable emitter point
- Ion balance of ± 50 V
- Life expectancy of 10,000 hours
- Ergonomic Design

BENEFITS:

- Neutralizes static charge immediately
- Offers a cleaner process
- Less fatiguing for the operator

Ionmaster® Precision Ionizing Air Blow Gun

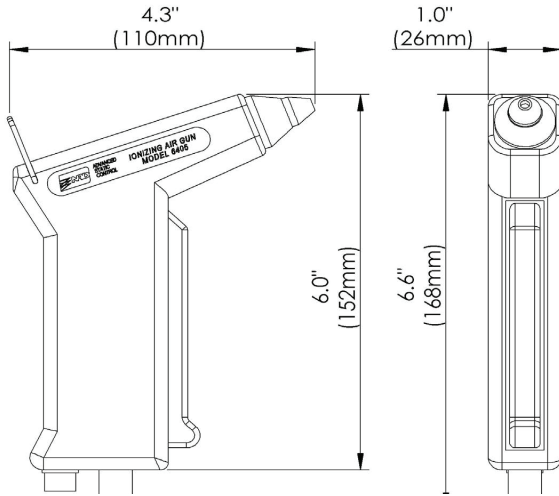


The Ionmaster® Precision Ionizing Air Blow Gun Model 6405 is a lightweight, static eliminating gun designed for use in **removing harmful electronic charges on circuit boards and other sensitive electronics**. It is also a great tool for cleaning particulate from lenses and other optical grade products.

This Ionizing Air Gun does not require a heavy power cable to operate and its ergonomic design makes utilizing this essential tool less fatiguing for the operator. **The Model 6405 kit includes a gun, wall transformer, and power cord.**

Model 6405 CORONA
Ionmaster® Precision Ionizing Air Blow Gun

Schematics:



Specifications:

Balance: ± 50 V

Dimensions: 1in W x 6.6in H x 4.3in L
(26 mm x 168 mm x 110 mm)

Gas Input: 10-80 psi, Clean Dry Air (CDA)
or Nitrogen

LED Indicators: Green - Power On; Red - Alarm

Line Connection: 6 mm O.D. tubing

Operating Humidity: 0–80%

Operating Temp: 10°C–40°C

Operating Voltage: 24 V DC

Power Supply Input Voltage: 100-240 V AC

Technology: Piezoelectric AC

Weight: 0.6 lbs. (0.28kg)

DECAY RATE: <1 sec @ 6", 30 psi (± 1000 -
100V), ANSI/ESD Association STM 3.1