



#### APPLICATIONS:

- Cleanroom, bench-top electronic assembly, dispensing, medical device assembly

#### FEATURES:

- 2-speed fan
- Maximum positioning flexibility when used with Articulated Arm
- Easy-to-operate design

#### BENEFITS:

- Fits easily into small bench-top spaces
- Balanced static control to zero volts
- No particulate with alpha ionization technology
- User confidence in reliable ion delivery
- No calibration of ion sources
- No emitter points to clean

## STATICMASTER® Benchtop Ionizing Fan



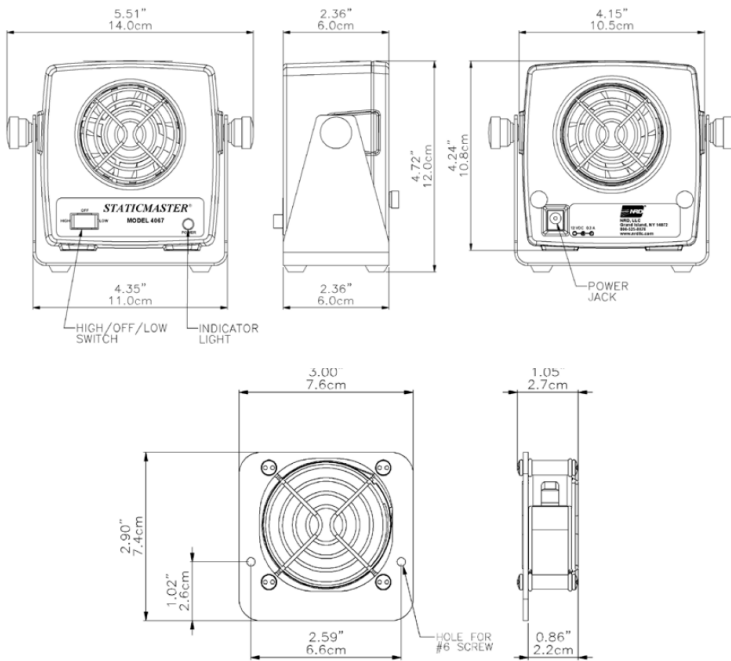
The STATICMASTER® Small Ionizing Fan is a small platform ionizing fan that utilizes NRD's proprietary alpha ionizing technology to provide a continually balanced output down to zero volts.

When used in conjunction with the Model P-2062, this ionizing fan is ideally suited for bench-top electronics repair and assembly.

NRD's proprietary alpha ionizing technology eliminates the need for constant recalibration and emitter pin maintenance normally associated with other types of ionizing technologies.

# Model 4067 STATICMASTER® Benchtop Ionizing Fan

## Schematics:



## Specifications:

**Activity:** 14.1 mCi (522 MBq) (P-2062)  
**Airflow:** Low speed, 155.8 SFPM (5.5 L/s);  
High speed, 211.6 SFPM; (7.47 L/s)  
**Balance:** ±0 V  
**Current Draw:** 4 W  
**Dimensions:** 2.36in W x 4.72in H x  
5.51in L ( 60mm x 120 mm x 140 mm)  
**Enclosure (MODEL 4067):** ABS/PC housing,  
metal base  
**Enclosure (MODEL P-2062):** Stainless Steel  
**Fan Flow Rating:** 29.2 CFM (0.01 m3/s)  
**Finish:** ABS  
**Power Supply Input Voltage:** 120 V AC  
**Technology:** Alpha  
**Weight (MODEL 4067):** 13.5 oz (399g)  
**Weight (MODEL P-2062):** 4.3 oz (127 g)  
**DECAY RATE:** < 2 seconds (±1000 to 100V),  
ANSI/ESD Association STM 3.1 @ 1 foot, center

## Accessories:

**Ionizing Ring for Fan**  
Model P-2062



**Articulated Arm**  
for maximum  
positioning  
flexibility  
Model ARM-002



## Maintenance:

It is necessary to replace ionizers every 12 months to maintain peak effectiveness.

**NOTE ON ION SOURCE:** All NRD ion sources are encapsulated in precious metals by means of a special patented process. This results in a static eliminator which, unlike competitive products, resists oxidation, solvents, heat, cold and vibration.

**NOTICE:** NRD expressly warrants that, for a period of one (1) year from the time of purchase, the ionizer will be free of defects in material (parts) and workmanship (labor).