



APPLICATIONS:

- Cleanroom, bench-top electronic assembly, dispensing, medical device assembly

FEATURES:

- 2-speed fan
- Maximum positioning flexibility when used with Articulated Arm
- Easy-to-operate design

BENEFITS:

- Fits easily into small bench-top spaces
- Balanced static control to zero volts
- No particulate with alpha ionization technology
- User confidence in reliable ion delivery
- No calibration of ion sources
- No emitter points to clean

STATICMASTER® Benchtop Ionizing Fan



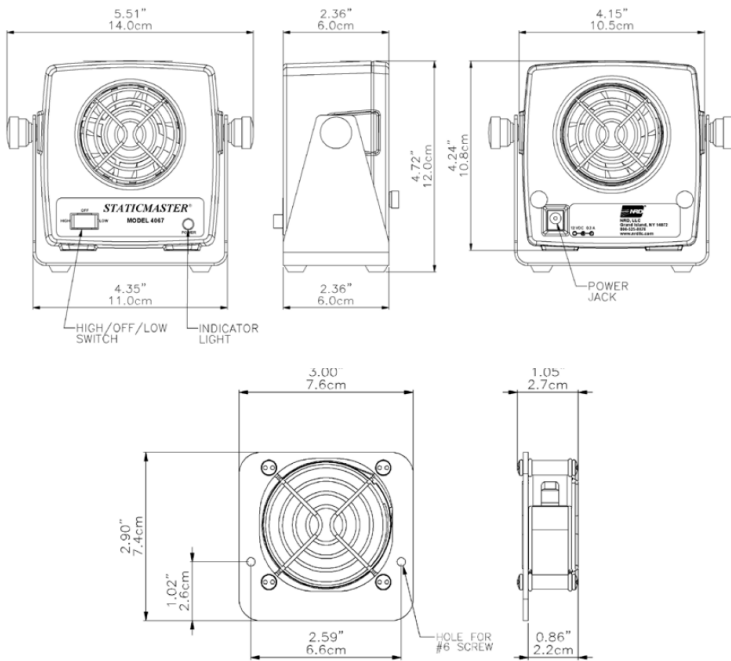
The STATICMASTER® Small Ionizing Fan is a small platform ionizing fan that utilizes NRD's proprietary alpha ionizing technology to provide a continually balanced output down to zero volts.

When used in conjunction with the Model P-2062, this ionizing fan is ideally suited for bench-top electronics repair and assembly.

NRD's proprietary alpha ionizing technology eliminates the need for constant recalibration and emitter pin maintenance normally associated with other types of ionizing technologies.

Model 4067 STATICMASTER® Benchtop Ionizing Fan

Schematics:



Specifications:

Activity: 14.1 mCi (522 MBq) (P-2062)
Airflow: Low speed, 155.8 SFPM (5.5 L/s);
High speed, 211.6 SFPM; (7.47 L/s)
Balance: ±0 V
Current Draw: 4 W
Dimensions: 2.36in W x 4.72in H x
5.51in L (60mm x 120 mm x 140 mm)
Enclosure (MODEL 4067): ABS/PC housing,
metal base
Enclosure (MODEL P-2062): Stainless Steel
Fan Flow Rating: 29.2 CFM (0.01 m3/s)
Finish: ABS
Power Supply Input Voltage: 120 V AC
Technology: Alpha
Weight (MODEL 4067): 13.5 oz (399g)
Weight (MODEL P-2062): 4.3 oz (127 g)
DECAY RATE: < 2 seconds (±1000 to 100V),
ANSI/ESD Association STM 3.1 @ 1 foot, center

Accessories:

Ionizing Ring for Fan
Model P-2062



Articulated Arm
for maximum
positioning
flexibility
Model ARM-002



Maintenance:

It is necessary to replace ionizers every 12 months to maintain peak effectiveness.

NOTE ON ION SOURCE: All NRD ion sources are encapsulated in precious metals by means of a special patented process. This results in a static eliminator which, unlike competitive products, resists oxidation, solvents, heat, cold and vibration.

NOTICE: NRD expressly warrants that, for a period of one (1) year from the time of purchase, the ionizer will be free of defects in material (parts) and workmanship (labor).