



Model 4070
Alpha Staticmaster®

APPLICATIONS:

- FPD, BEOL, Cleanroom, benchtop environments, laboratory environments, medical device assembly

FEATURES:

- Two-speed fan
- Optional cord lock
- Built-in safety control options

BENEFITS:

- Balanced output of ± 0 V for consistent protection
- No particulate with alpha ionization technology
- No calibration of ion sources
- No emitter points to clean

Alpha Staticmaster® Overhead Ionizing Fan



The Alpha Staticmaster Overhead Ionizing Fan Model 4070 uses advanced alpha technology to offer the best ESD solution for the most critical manufacturing environments. It provides efficient, point-of-use ionization for impressive discharge times and precise charge neutralization when needed most.

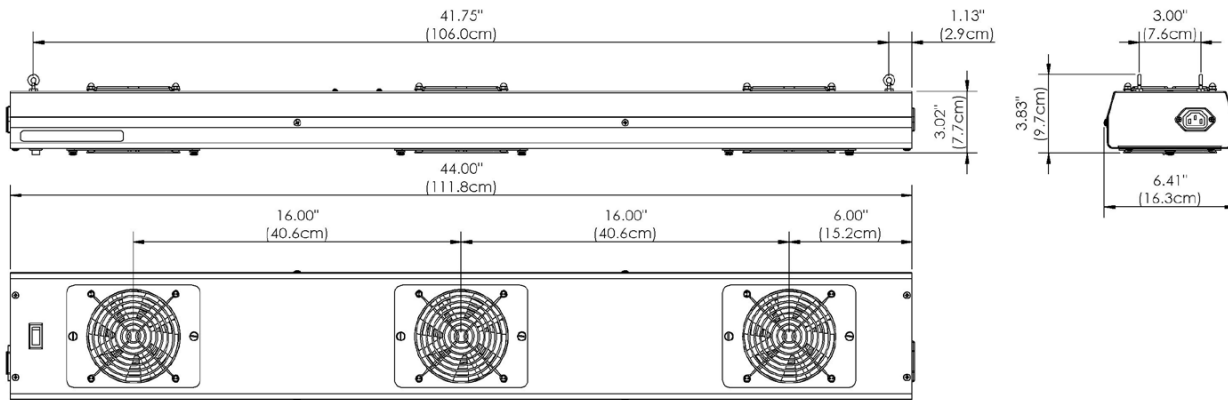
The Overhead Ionizing Fan mounts directly above the work area and offers the ultimate level of protection from static charge with absolute zero balance and zero particle emission.

When using the Model 4070, the ideal neutralization time for the target is when it's placed 18" to 36" directly under the ionizing fan and increases as the distance increases.

Alpha Staticmaster® Overhead Ionizing Fan

Model 4070

Schematics:



Specifications:

Activity: 31.5 mCi (1166 MBq) (P-2063 ionizer set — 3 required per unit)

Airflow: High speed, 114 CFM (53.8 L/s)

Balance: ± 0 V

Enclosure: Aluminum housing

Finish: Powder Coat

Dimensions: 6.41in W x 3.83in H x 44in L
(163 mm x 97 mm x 1118 mm)

Power Supply Input Voltage: 100–240 V AC

Technology: Alpha

Weight: 12.5 lbs. (5.7 kg)

DECAY RATE: 2.23+ seconds, 2.81- (± 1000 to 100V), ANSI/ESD Association STM 3.1 @ 16" center, 18" above

Accessories:



Ionizing Ring For Fans
Model P-2063

Maintenance:

Product is supplied complete with ionizers. It is necessary to replace ionizers every 12 months to maintain peak effectiveness.

NOTE ON ION SOURCE: All NRD ion sources are encapsulated in precious metals by means of a special patented process. This results in a static eliminator which, unlike competitive products, resists oxidation, solvents, heat, cold and vibration.

NOTICE: NRD expressly warrants that, for a period of one (1) year from the time of purchase, the ionizer will be free of defects in material (parts) and workmanship (labor).