



APPLICATIONS:

- Plastics manufacturing, coatings, injection molding, explosive environments

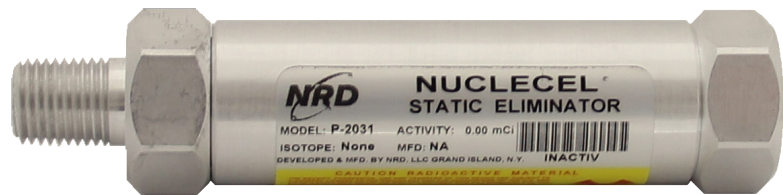
FEATURES:

- High volume of ionized air at low pressure
- No external power supply
- Aluminum and stainless steel housing options

BENEFITS:

- Safe and easy to install and relocate
- Ions constantly balanced at nozzle
- Intrinsically safe in flammable and explosive environments
- No calibration needed

Nuclecel® End-of-Line Ionizer



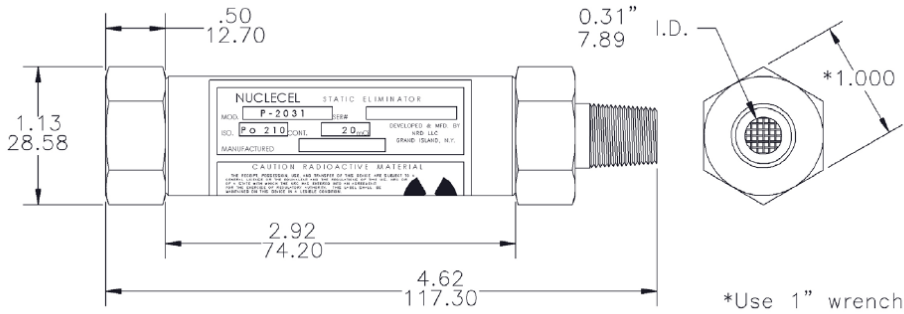
The Nuclecel End-of-Line Alpha Ionizers are designed to deliver higher volumes of airflow with lower pressure than the standard P-2021.

The Model P-2031 is ideally suited for removing static charges in storage containers and hoppers, such as those used in the recycling of plastic scrap or pelletizers where a large area of coverage is required.

The P-2031 ionizers can be operated continuously or intermittently, with gas flow in either direction, and are safe in volatile and explosive environments. These ionizers are easy to install on any clean, dry compressed air or inert gas line, and emit a powerful stream of ions to quickly neutralize electrostatic charges. The ion stream is balanced as it leaves the cell, removing particles clinging to surfaces and eliminates electrostatic re-attraction of contaminants.

The Nuclecel End-of-Line Alpha Ionizers are offered in both stainless steel housing (Model P-2031-2000) and aluminum housing (Model P-2031-1000) options.

Schematics:



Specifications:

Activity: 20 mCi (740 MBq)

Balance: ±0 V

Dimensions: 1.125in W x 4.62in L
(28.58 mm x 117.3 mm)

Diameter: 1in (25.4 mm)

Enclosure (MODEL P-2031-1000):

Aluminum housing

Enclosure (MODEL P-2031-2000):

316 Stainless housing

Gas Input: <35 psi (Max 100 psi)

Clean Dry Air (CDA) or Nitrogen

Line Connection: 1/4 in NPT male & female

Technology: Alpha

Weight (MODEL P-2031-1000): 3.5 oz (100 g)

Weight (MODEL 2031-2000): 10 oz (286 g)

DECAY RATE:

1 second (±1000 to 100V), ANSI/ESD

Association STM 3.1 @30psi, 6 inches

Maintenance:

It is necessary to replace ionizers every 12 months to maintain peak effectiveness.

NOTE ON ION SOURCE: All NRD ion sources are encapsulated in precious metals by means of a special patented process. This results in a static eliminator which, unlike competitive products, resists oxidation, solvents, heat, cold and vibration.

NOTICE: NRD expressly warrants that, for a period of one (1) year from the time of purchase, the ionizer will be free of defects in material (parts) and workmanship (labor).