



#### APPLICATIONS:

- Cleanroom, bench-top electronic assembly, dispensing, medical device assembly

#### FEATURES:

- 2-speed fan
- Small size
- Easy-to-operate design

#### BENEFITS:

- Wide area of coverage
- No calibration required
- Balanced static control to zero volts

## STATICMASTER® Alpha Benchtop Ionizing Fan



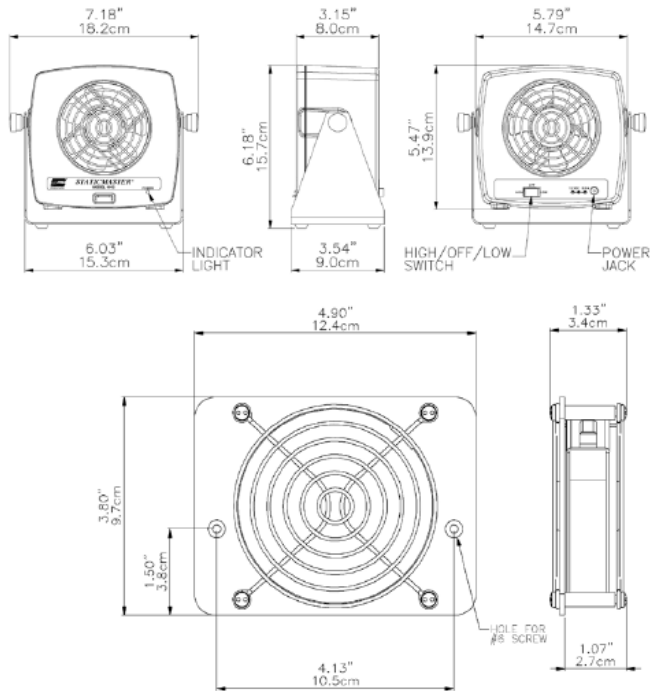
The STATICMASTER® High-Output Ionizing Fan offers a higher concentration of ions utilizing NRD's proprietary alpha ionizing technology. When used in combination with the Model P-2060 ionizing cartridge, the Model 4065 is ideally suited for electronics applications, where a wide area of coverage is desired.

NRD's unique technology eliminates the need for constant recalibration normally associated with other types of ionizing technologies.

The Model 4065 ionizing fan utilizes our proprietary alpha technology to produce balanced static control down to zero volts. This model's design has a large diameter opening allowing for a high air volume to pass through the ionizer creating an abundance of ions to neutralize static charge.

# Model 4065 STATICMASTER® Alpha Benchtop Ionizing Fan

## Schematics:



## Specifications:

**Activity:** 23.1 mCi (855 MBq) (P-2060)  
**Airflow:** Low speed, 225.2 SFPM;  
High speed, 228.3 SFPM  
**Balance:**  $\pm 0$  V  
**Current Draw:** 2W  
**Dimensions:** 3.54in W x 6.18in H x 7.18in L  
(90 mm x 157 mm x 182 mm)  
**Enclosure (MODEL 4065):** ABS/PC housing, metal base  
**Enclosure (MODEL P-2060):** Stainless Steel  
**Fan Flow Rating:** 51.5 CFM (0.02 m<sup>2</sup>/s)  
**Finish:** ABS  
**Output Monitoring:** FMS Interface  
**Power Supply Input Voltage:** 120 V AC  
**Technology:** Alpha  
**Weight (MODEL 4067)** 1.5 lbs. (0.7 kg)  
**Weight (MODEL P-2062)** 7.8 oz (231 g)  
**DECAY RATE:** < 2 seconds ( $\pm 1000$  to 100V),  
ANSI/ESD Association STM 3.1 @ 1 foot, center

## Accessories:

### Ionizing Ring for Fan Model P-2060



## Maintenance:

It is necessary to replace ionizers every 12 months to maintain peak effectiveness.

**NOTE ON ION SOURCE:** All NRD ion sources are encapsulated in precious metals by means of a special patented process. This results in a static eliminator which, unlike competitive products, resists oxidation, solvents, heat, cold and vibration.

**NOTICE:** NRD expressly warrants that, for a period of one (1) year from the time of purchase, the ionizer will be free of defects in material (parts) and workmanship (labor).