



APPLICATIONS:

- Microscopy, analytical and precision weighing, detailing

FEATURES:

- Soft, natural hair
- Zero volts
- Small size

BENEFITS:

- Soft on surfaces
- Easy to use
- Cleaner process

Staticmaster® Static Eliminating Brushes



MODEL 1C200



MODEL 3C500

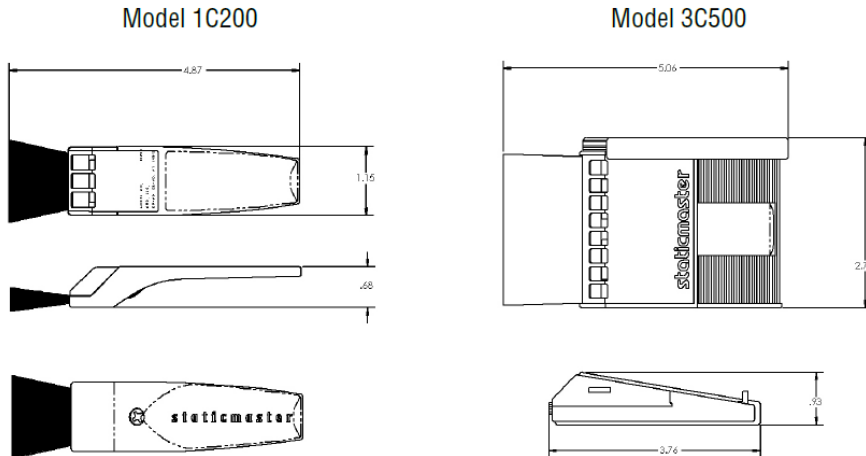
Staticmaster® Static Eliminating Brushes utilize NRD's proven alpha ionizing technology to remove the static charge from particulate, such as fine powders and other non-conductive materials. **They are ideal for low-humidity environments found in clean rooms and laboratories.**

NRD's static elimination brushes are used in a wide variety of analytical, photographic and medical environments where the elimination of particulate on sensitive tools and objects is necessary.

The Static Eliminating Brushes are available in two options, Model 1C200 and Model 3C500. Both are handcrafted with natural hair and contain an alpha ionizing strip, which neutralizes the static while the soft brushes, simultaneously, remove dust particles. The neutralization of the surface with the brushes allows the surface to stay free of static.

Models 1C200 & 3C500 Staticmaster® Static Eliminating Brushes

Schematics:



Specifications:

Activity: 0.5 mCi (18.5 MBq)

Balance: ± 0 V

Dimensions (MODEL 1C200): 1.15in W
x .68in H x 4.87in L (29.21 mm x 17.27 mm
x 123.7 mm)

Dimensions (MODEL 3C500): 2.77in W
x .93in H x 5.06in L (70.36 mm x
23.62 mm x 128.52)

Enclosure: Handle ABS, Aluminum Grid,
Natural Hair

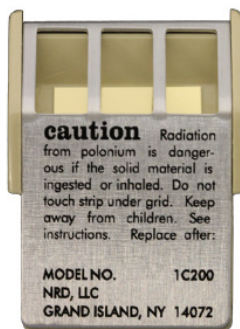
Technology: Alpha

Weight (MODEL 1C200): 0.5 oz (14.17 g)

Weight (MODEL 3C500): 1.3 oz (36.85 g)

DECAY RATE: < 2 seconds grounded (± 1000 to
100V), ANSI/ESD Association STM 3.1 @ 1 inch

Accessories:



Replacement Cartridge for the 1C200
Model 1C200R



Replacement Cartridge for the 3C500
Model 3C500R

Maintenance:

Product is supplied complete with ionizers. It is necessary to replace ionizers every 12 months to maintain peak effectiveness.

NOTE ON ION SOURCE: All NRD ion sources are encapsulated in precious metals by means of a special patented process. This results in a static eliminator which, unlike competitive products, resists oxidation, solvents, heat, cold and vibration. This device is not serial numbered.

NOTICE: NRD expressly warrants that, for a period of one (1) year from the time of purchase, the ionizer will be free of defects in material (parts) and workmanship (labor). NRC exempt device in USA.