

Staticmaster®

Ionizing Cartridges

(Models 2U500 and 1U400)



Model 2U500

Staticmaster® 2U500 and 1U400 Ionizing Cartridges

The Staticmaster® 2U500 and 1U400 are the only self-powered static eliminators available today. Their small profile makes them an ideal solution for in-balance static elimination. These small profile ionizers offer “zero-volts balance” technology, which means that they can effectively remove all of the static charge present in your media and samples. This ensures accurate weighing every time.



Model 1U400

Staticmaster® 2U500 and 1U400 Grounding Kit, Model 5060

Significantly enhances the static eliminating power of the 2U500 and 1U400 Ionizing Cartridges. Extensive testing has shown that adding the Grounding Kit to your in-balance ionizer can significantly increase the performance of the static eliminator.

Model 5060



Staticmaster® 2U500 and 1U400 EZ Mounts

An indispensable accessory for mounting a 2U500 or a 1U400 Ionizing Cartridge in the Balance Chamber. Simply remove the protective layer of the double-sided tape and affix the EZ Mount to the back wall of the chamber. Once the mount is attached, ionizing cartridges is fast and easy.

2937 Alt Boulevard, PO Box 310, Grand Island, NY 14072-0310 | Toll Free: 800 . 525 . 8076

P: 716 . 773 . 7634 | F: 716 . 773 . 7744 sales@NRDinc.com www.NRDStaticControl.com | www.NRDPrecisionWeigh.com

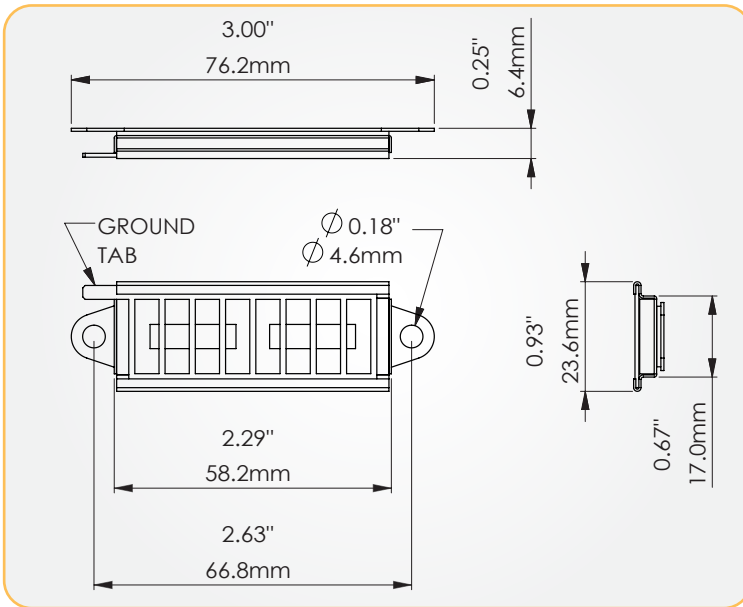


NOTICE: NRD warrants that these materials are reasonably fit for the purpose described. We believe that specifications and technical information presented are based on test methods that produce accurate results. The foregoing limited warranty is expressly made in lieu of, and no other express and no implied warranty of merchantability or fitness for a particular purpose is made. NRD, LLC will not be liable for incidental, consequential, special, exemplary or punitive damages. The limited warranty will not apply to defects or damage due to accidents, neglect, misuse, alterations, error or failure to properly maintain, clean or repair products.

2U500, 1U400, 5060, EZ Mount 9/14

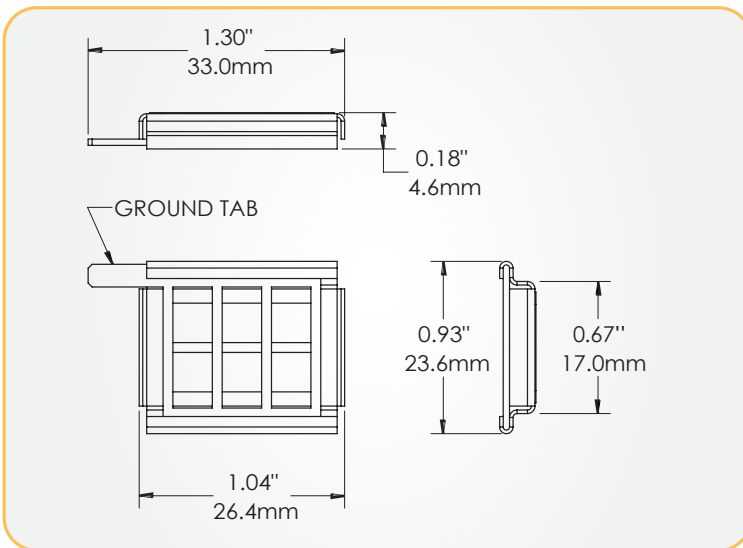
Staticmaster®

Ionizing Cartridges (Models 2U500 and 1U400)



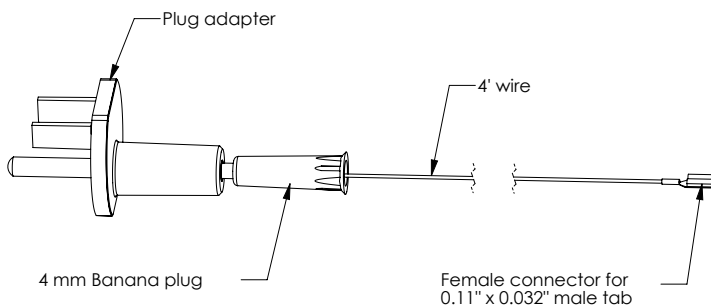
Model 2U500 Specifications

MATERIAL: Stainless steel housing, aluminum grid
WEIGHT: 0.4 oz. (11.3g)
ISOTOPE: Polonium-210
EMISSION: Alpha
ACTIVITY: 500 μ Ci
OPTIMUM RANGE: 0.5" to 1.5"



Model 1U400 Specifications

MATERIAL: Stainless steel housing, aluminum grid
WEIGHT: 0.2 oz. (5.7g)
ISOTOPE: Polonium-210
EMISSION: Alpha
ACTIVITY: 500 μ Ci
OPTIMUM RANGE: 0.5" to 1.5"



Grounding Kit Model 5060 Specifications

MATERIAL: ABS/PC Adapter, tinned copper wire
WEIGHT: 0.8 oz. (22.7g)
GROUND WIRE: 4'

Note on Ion Source

All NRD ion sources are encapsulated in precious metals by means of a patented process. This results in a static eliminator which resists oxidation, solvents, heat, cold and vibration. To maintain peak performance, NRD recommends annual replacement of ionizing cartridges.