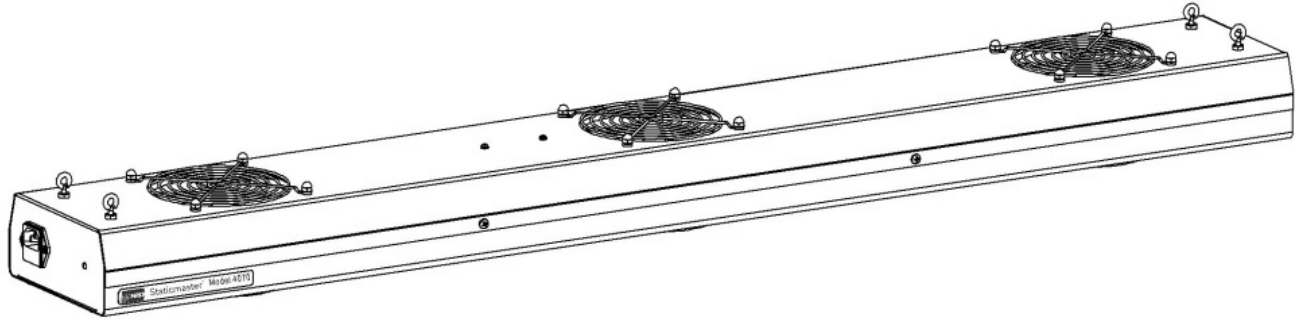


Installation / Operation / Maintenance

Staticmaster® Overhead Ionizing Fan Model 4070



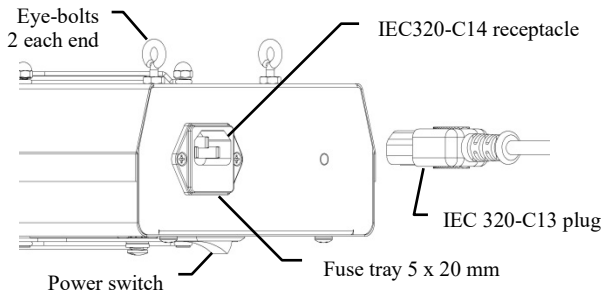
Overview

The Staticmaster® overhead ionizing Fan is used to create airflow through the model P-2063 ion cells. This system delivers a high volume of ionized air to neutralize static charge. The target's neutralization time will be optimal when placed 18" to 36" directly under the ionizing Fan and will increase as the distance increases.

Installation

1. Locate the Staticmaster®:
 - 18" to 36" above the target to be neutralized for optimal performance, making sure that the airflow will not be restricted.
 - A working electrical outlet within reach of the 6' long detachable cord that is supplied with the Staticmaster®.
 - The Staticmaster® is to be suspended by the attached four eye-bolts.

Note: The model P-2063 ion cells are sold separately. If this is your initial Staticmaster® installation the model P-2063 ion cells will need to be installed. Refer to model P-2063 Installation section.



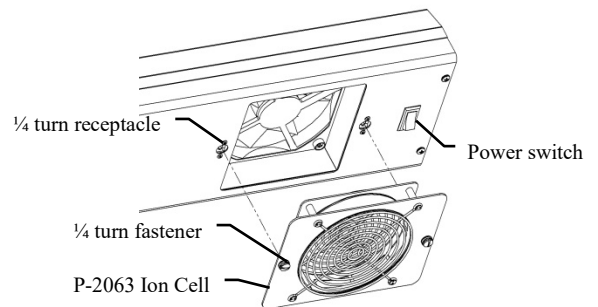
2. Connect the IEC 320-C13 plug to the IEC320-C14 receptacle on the end of the Staticmaster®.

Note: up to 10 Staticmaster® overhead ionizing Fans can be interconnected to be powered off of one (1) 120 VAC, 60 Hz electrical outlet, using an optional IEC320-C14 to IEC320-C13 power cord.

3. Connect the AC plug into a properly grounded 120 VAC, 60 Hz electrical outlet.
4. Turn the Staticmaster® "ON" by pressing the switch, located on the bottom of the unit. The green LED, inside the switch, will illuminate indicating the unit has been activated.

Model P-2063 Ion Cell Installation

1. Unplug AC power cord from the electrical outlet.
2. Align and insert ¼ turn fastener, on P-2063 ion cell, into ¼ turn receptacle, in 4070 housing, and turn clockwise to secure in place.
3. Plug AC power cord into an electrical outlet.



NRD, LLC / 2937 Alt Boulevard / Grand Island, NY 14072
PHONE 716 773 7634 / FAX 716 773 7744 / EMAIL sales@nrdlc.com / WEB www.nrdllc.com

NRD Asia Pte. Ltd
PHONE +65 6679 1707 / EMAIL sales@NRDasia.com / WEB www.nrdllc.com

Installation / Operation / Maintenance

Staticmaster® Overhead Ionizing Fan Model 4070

Maintenance

- Calibration is not required.
- To ensure maximum static neutralization, the model P-2063 ion cells should be replaced once a year regardless of usage.
- To ensure maximum fan performance, keep the fan blades and protective grids free of dust and dirt buildup.
- The Staticmaster® model 4070 can be cleaned with a clean dry cloth or cotton swab as needed.

Trouble Shooting Guide

Symptom	Probable Cause	Corrective Action
1. Static charges are not eliminated.	Ion cell may be out of date and need to be replaced. Possible foreign material on surface of ion cell. Ions generated are being recombined before they reach the charged parts.	Call NRD for ion cell replacement. Return ion cell to NRD for evaluation. Do not attempt to clean the device. Position the fan closer to the charged part.
2. Fan inoperative.	Loss of power.	Check all electrical connections. Check fuse, replace if needed.

Device disposal



The Staticmaster® model 4070 device should not be placed in household waste bins. Please check local regulations for information about the disposal of electronic products in your area.

Limited Warranty

NRD expressly warrants that for a period of one (1) year from the time of purchase, the ionizer will be free of defects in material (parts) and workmanship (labor). Within the warranty period, the ionizer will be tested, repaired, or replaced at discretion of NRD, free of charge. Any ionizer under warranty should be shipped pre-paid to the NRD factory. Call Customer Service at (716) 773-7634 for a Return Authorization number and shipping instructions. Include a copy of your original packing slip, invoice, or other proof of purchase date.

If the ionizer is out of warranty, NRD LLC will quote repair charges necessary to bring your ionizer up to factory standards.

Warranty Exclusions

The forgoing express warranty is made in lieu of all other product warranties, expressed and implied, including merchantability and fitness for a particular purpose that is specifically disclaimed. The express warranty will not apply to defects or damage due to accidents, neglect, misuse, alterations, operator error, or failure to properly maintain, clean or repair products.

Limit of Liability

The user shall determine the suitability of the product for their intended use, and the user assumes all risk and liability whatsoever in connection therein.



NRD, LLC / 2937 Alt Boulevard / Grand Island, NY 14072
PHONE 716 773 7634 / FAX 716 773 7744 / EMAIL sales@nrdlc.com / WEB www.nrdllc.com

NRD Asia Pte. Ltd
PHONE +65 6679 1707 / EMAIL sales@NRDasia.com / WEB www.nrdllc.com

Installation / Operation / Maintenance

Staticmaster® Overhead Ionizing Fan Model 4070

Compliance Information

FCC compliance statement (United States)

FCC Class B Part 15

This device complies with Part 15 of the FCC Rules. Operation is subject to the following two conditions: (1) This device may not cause harmful interference, and (2) this device must accept any interference received including interference that may cause undesired operation.

Industry Canada compliance

NRD, LLC

Model 4070

This Class B Digital Apparatus Complies with Canadian ICES-003. CAN ICES-3B/NMB-3B

EU regulatory conformance

NRD, LLC hereby declares that this Staticmaster®, model 4070, device is in compliance with the essential requirements and other relevant provisions of EMC Directive 2004/108/EC.

Australia and New Zealand regulatory conformance

NRD, LLC hereby declares that this Staticmaster®, model 4070, device is in compliance with the essential requirements and other relevant provisions of Australian and New Zealand Standard AS/NZS CISPR 11, 2011.

Additional regulatory conformance:

- Safety requirements for electrical equipment for measurement, control, and laboratory use – Part 1: General requirements included USA: UL-61010-1, Canada CSA-c22.2, EU BS EN 61010, IEC 61010-1.
- EU RoHS Directive
- EU REACH regulation
- EU Packaging Directive.
- California Proposition 65

Specifications:

Dimensions: 44,3" x 6,4" x 3,6" (1126mm x 163mm x 91mm)
Mass: 5,7 lb. (2,6 kg)
Rated Voltage: Input: 100-240 VAC Output: 12 VDC
Rated Current: 1 A
Frequency: 60 Hz
Operating and Storage Temperature: 14°F - 122°F (-10°C - 50°C)
Operating and Storage Humidity: Maximum of 80%
Fuse: 250 VAC, 10 A
Category 1 product

Symbols:

V~ - Voltage AC
A - Ampere



NRD, LLC / 2937 Alt Boulevard / Grand Island, NY 14072
PHONE 716 773 7634 / FAX 716 773 7744 / EMAIL sales@nrdlc.com / WEB www.nrdllc.com

NRD Asia Pte. Ltd
PHONE +65 6679 1707 / EMAIL sales@NRDasia.com / WEB www.nrdllc.com