



Model 6500
Neutralizer® AC

APPLICATIONS:

- Painting, coating, detailing, collision repair, restoration, glass

FEATURES:

- Wide area coverage
- Rechargeable lithium ion battery
- Easily replaceable emitter pin and filter
- Safety trigger key
- Lightweight, durable construction
- Convenient hanging ring

BENEFITS:

- Shorter prep time
- Great for all stages of paint
- Minimizes reworking, wet sanding and buffing time
- Increases productivity and profitability
- Lower labor and material costs
- Great for cars, RVs, trucks, boats and planes

IONIZER CHOICES:

Model P-2021 Series -
Alpha Energy Ionization



Neutralizer® AC Auto Body Refinishing Anti-static Gun



The Neutralizer® AC incorporates the efficiency and power of an air amplifier with the proven technology of corona ionization to produce a highly effective anti-static blow-off gun. It can be used at all stages of surface prep — before and after priming, painting and applying top coat.

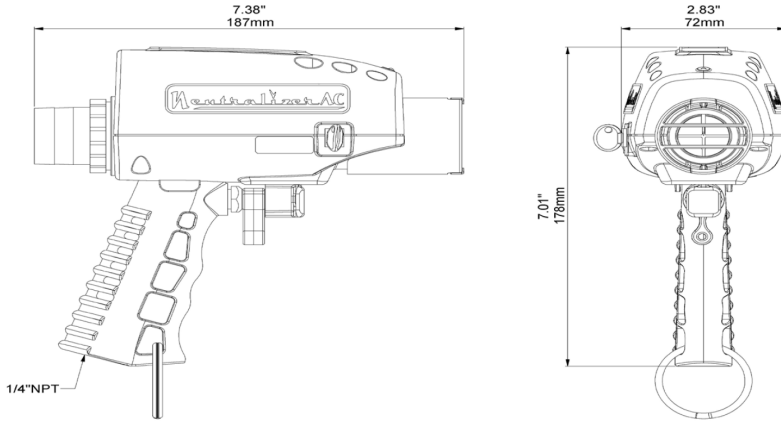
The Model 6500 eliminates the need for anti-static sprays or chemicals. By removing static charge, fibers and airborne impurities will not stick to plastic, fiberglass, rubber or other painting surfaces. Using advanced technology, similar to that used in clean rooms and laboratories, the Neutralizer® AC lets you keep the surface clean so you can avoid unnecessary reworking and buffing. This means shorter prep times as well as lower labor and material costs plus, quality customer satisfaction.

The Neutralizer® AC kit includes a lightweight, durable gun, rechargeable lithium ion battery, two emitter pins and safety keys. The Model 6500 is portable and convenient to use in any collision shop, painting booth or restoration project and is equally well-suited for use on RVs, trucks and boats.

Neutralizer® AC Auto Body Refinishing Anti-static Gun

Model 6500

Schematics:



Specifications:

Dimensions:	2.83in W x 7.01in H x 7.38in L (72 mm x 178 mm x 187 mm)
Emitter Point:	Tungsten 99.99%
Gas Input:	50-80 psi, Clean Dry Air (CDA) or Nitrogen
LED Indicators:	Green - Power On
Line Connection:	1/4 in NPT, female
Power Supply	
Input Voltage:	Lithium ion battery
Technology:	Corona
Weight:	17.6 oz. (520g)
DECAY RATE:	< 2 seconds, (±1000 to 100V), ANSI/ESD Association STM 3.1 @30psi, 6 inches

Accessories:



**Emitter Pin
Replacement Kit**
Model 6500-PTS



Replacement Battery
Model 6500-BAT



Replacement Battery Charger
Model 6500-CHG



Filter Replacement Kit
Model 6500-FIL



EU Plug Adapter
Model 6500-EU



UK Plug Adapter
Model 6500-UK



AU Plug Adapter
Model 6500-AU

Maintenance:

It is necessary to clean and replace emitter point as needed.

NOTICE: NRD expressly warrants that, for a period of one (1) year from the time of purchase, the ionizer will be free of defects in material (parts) and workmanship (labor).