



### APPLICATIONS:

- Cleanroom, bench-top electronic assembly, dispensing, medical, device assembly

### FEATURES:

- Small, lightweight and portable design
- Small footprint
- Repositionable construction

### BENEFITS:

- Fits easily into small bench-top spaces
- Can be directed from close proximity
- User confidence in reliable ion delivery
- Creates low airflow for minimal disruption
- No calibration of ion sources
- No emitter points to clean

## Staticmaster® Ionizing Fan



The Staticmaster Ionizing Fan Model 4060 is ideal for use where a **compact, lightweight and highly reliable source** of ions is needed for static control.

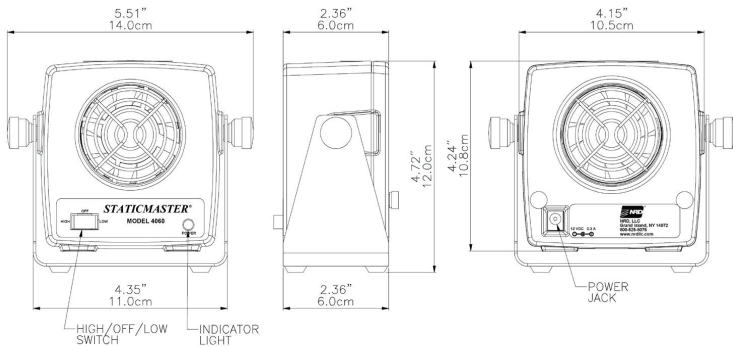
Designed to remove static charges that can't be controlled by conductive grounding materials, this Ionizing Fan delivers an **even, gentle flow of balanced, ionized air**. These air ions are kept in continuous balance by the unit's internal alpha-energy source.

The Model 4060 will not interfere with microprocessorbased controls or static-sensitive electronic components and requires no calibration.

**The Ionizing Fan Model 4060 has an adjustable arm attachment** (Model ARM-002) so it can be positioned and locked for optimal use. When using the Model 4060, the ideal neutralization time for the target is when it's placed 12" to 48" directly in front of the ionizing fan and increases as the distance increases.

# Model 4060 ALPHA Staticmaster® Ionizing Fan

## Schematics:



## Specifications:

**Activity:** 2 mCi (74 MBq) (4060R-400 ionizer set)

**Airflow:** Low speed, 155.8 CFM (5.5 L/s);

**High speed** 211.6 CFM (7.47 L/s)

**Dimensions:** 2.36in W x 4.72in H x 5.51in L  
(60 mm x 120 mm x 140 mm)

**Enclosure:** ABS, metal base

**Fan Flow Rating:** 29.2 CFM (0.01 m<sup>3</sup>/s)

**Operating Voltage:** 12 V DC

**Power Supply Input Voltage:** 120 V AC

**Technology:** Alpha

**Weight:** 1.2 lbs. (0.5 kg)

**DECAY RATE:** 2.5 seconds ( $\pm 1000$  to 100V),  
ANSI/ESD Association STM 3.1 @ 1 foot, center

## Accessories:



**Ionizing Cartridge, 1"  
(500 Microcuries)  
Model 1U400 (4)**



**Articulated Arm  
Model ARM-002**

## Maintenance:

It is necessary to replace ionizers every 12 months to maintain peak effectiveness.

**NOTE ON ION SOURCE:** All NRD ion sources are encapsulated in precious metals by means of a special patented process. This results in a static eliminator which, unlike competitive products, resists oxidation, solvents, heat, cold and vibration.

**NOTICE:** NRD expressly warrants that, for a period of one (1) year from the time of purchase, the ionizer will be free of defects in material (parts) and workmanship (labor).