



Models 2U500, 1U400 & 1U200 ALPHA
Staticmaster® Ionizing Cartridges

APPLICATIONS:

- Installation inside equipment, narrow webs, small trimming jobs, analytical and precision weighing, semiconductor, microscopy, microtome sectioning, DNA process

FEATURES:

- Small and conveniently portable
- No shock hazard
- No external power supply

BENEFITS:

- More accurate measurements
- Static free samples
- Fits easily into small spaces

Staticmaster® Ionizing Cartridges

Models 2U500, 1U400 & 1U200



MODEL 2U500



MODEL 1U400



MODEL 1U200

Staticmaster® Ionizing Cartridges are the only self-powered static eliminators available today. Their small profile makes them an ideal solution for in-balance static elimination. They eliminate the problem of “fly-away” powders and inaccurate measurements in **analytical and precision weighing applications as well as semiconductor, In-Tool, glovebox and forensic environments.**

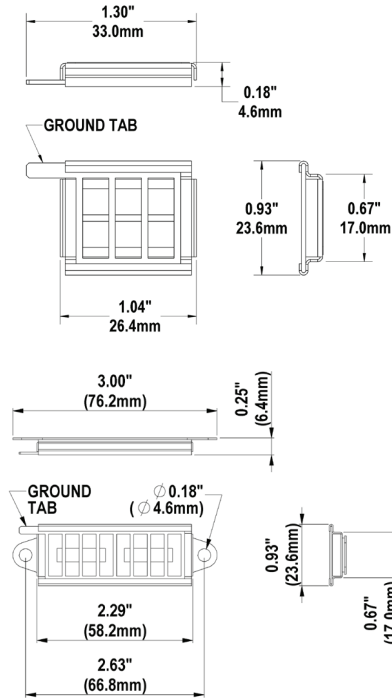
These ionizing cartridges utilizing NRD’s proven alpha ionizing technology can be easily mounted within a balance chamber, assuring quick and accurate measurements. They offer “zero-volts balance” technology, which means that they can effectively remove all of the static charge present in your media and samples, ensuring accurate weighing.

Staticmaster Ionizing Cartridges are available in four variations including, Model 2U500, Model 1U400 and Model 1U200 (available in two activity levels).

Each Ionizing Cartridge offers optional accessory, Model 5060 Grounding Kit, to provide a faster static elimination time for your process. Extensive testing has shown that adding the Grounding Kit to the alpha ionizer can significantly increase the performance of these advanced static eliminator solutions.

Models 2U500, 1U400 & 1U200 ALPHA Staticmaster® Ionizing Cartridges

Schematics:



Specifications:

Activity (MODEL 2U500 & 1U400): 0.5 mCi (18.5 MBq)

Activity (MODEL 1U200): 0.25mCi (9.25 MBq) or 0.10mCi (3.7 MBq)

Balance: ±0 V

Dimension (MODEL 2U500): 0.25in W x 0.93in H x 3in L (6.4 mm x 23.6 mm x 76.2 mm)

Dimension (MODEL 1U400 & 1U200): 0.18in W x 0.93in H x 1.30in L (4.6 mm x 23.6 mm x 33 mm)

Effective Distance: 1 in – 2 in (25.4 mm -50.8 mm)

Enclosure: Stainless Steel

Technology: Alpha

Weight (MODEL 2U500): 0.4 oz (11.34 g)

Weight (MODEL 1U400 & 1U200): 0.1 oz (2.83 g)

DECAY RATE:

.44 seconds grounded (±1000 to 100V), @ 1 inch

Accessories:



Grounding Kit
Model 5060



Mount for 1U200 &
1U400
Model BF4



Mount for 2U500
Model BF3



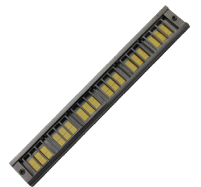
Positioner for two (2)
2U500s
Model BF2-1000



Positioner for 2U500
Model BF1-500



Mini Fan used with
2U500
Model 4068



Ionizing Rail
Model 1U200 RAIL,
1U400 RAIL, 2U500
RAIL

Maintenance:

It is necessary to replace ionizers every 12 months to maintain peak effectiveness.

NOTE ON ION SOURCE: All NRD ion sources are encapsulated in precious metals by means of a special patented process. This results in a static eliminator which, unlike competitive products, resists oxidation, solvents, heat, cold and vibration.

NOTICE: NRD expressly warrants that, for a period of one (1) year from the time of purchase, the ionizer will be free of defects in material (parts) and workmanship (labor).