



APPLICATIONS:

- Semiconductor manufacturing, BEOL, laboratory environments

FEATURES:

- Small size
- Self-powered
- No moving parts

BENEFITS:

- Fits into small spaces
- Perfectly balanced to zero volts
- No electricity required

NUCLESPOT™ Compact Ionizer



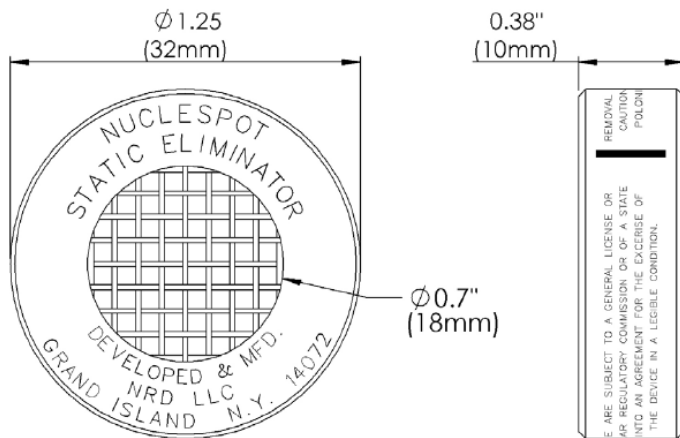
The NUCLESPOT™ Compact Ionizer is a small, self-powered ionization device that quickly eliminates static charge. It's designed for use in a variety of applications where space is limited, and is ideal for installation inside equipment. Test results have shown that alpha energy ionizers are the only technology that does not contribute to increased particle levels in the environment.

The Model P-2042 is an ideal product for analytical laboratories and cleanrooms, and is also appropriate for narrow webs, small trimming jobs, and photo processing. It is also well suited for use in mini environments in semiconductor, flat panel display, optics and storage media manufacturing.

Optimum efficiency with the Compact Ionizer is obtained by positioning the unit one inch from the target and grounding the ion source with the included Model 5061 Ground Wire. The Model P-2042 requires no power supply or electrical connections, resulting in ease of installation and flexibility.

The Model P-2042 is available in aluminum (Model P-2042-1000) or in 316 stainless (Model P-2042-2000).

Schematics:



Specifications:

Activity: 5 mCi (185 MBq)

Balance: ±0 V

Dimensions: 0.38in W x 1.25in L
(9.5 mm x 31.8 mm)

Effective Distance: 1in–4in (25.4 mm–100 mm)

Enclosure (MODEL P-2042-1000):

Aluminum housing

Enclosure (MODEL P-2042-2000): 316

Stainless housing

Technology: Alpha

Weight (MODEL P-2042-1000): 0.5 oz (14g)

Weight (MODEL P-2042-2000): 1.4 oz (40g)

DECAY RATE: 0.53 seconds grounded;
1.2 seconds ungrounded (±1000 to 100V),
ANSI/ESD Association STM 3.1 @ 1 inch

Accessories:

Ground Wire
Model 5061



Maintenance:

It is necessary to replace ionizers every 12 months to maintain peak effectiveness.

NOTE ON ION SOURCE: All NRD ion sources are encapsulated in precious metals by means of a special patented process. This results in a static eliminator which, unlike competitive products, resists oxidation, solvents, heat, cold and vibration.

NOTICE: NRD expressly warrants that, for a period of one (1) year from the time of purchase, the ionizer will be free of defects in material (parts) and workmanship (labor).